

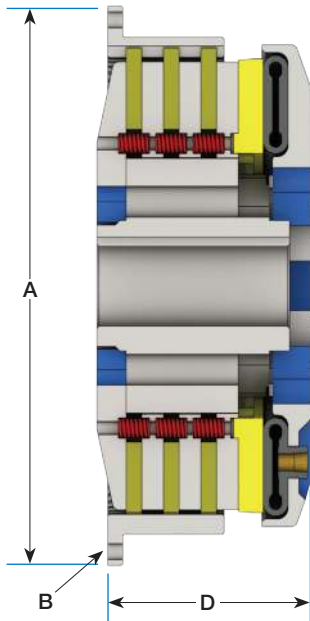


# Power Grip High Speed Clutches



Power Grip High Speed Clutches are designed to withstand severe applications mounted to internal combustion engines. The drive rings will fit standard SAE industrial flywheels. Heavy duty gear teeth friction discs are designed to withstand high shock loads. WPT's Power Grip High Speed clutches are well suited for bell housing gear box clutch applications.

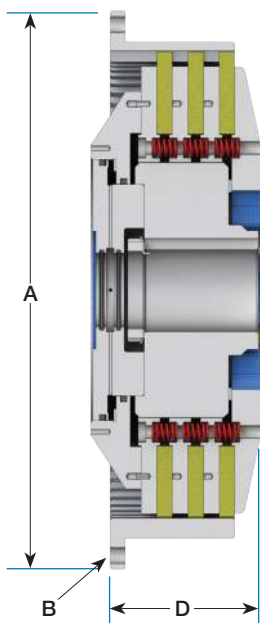
## Pneumatic Clutches



Model	Maximum Input Torque*	Maximum Speed	Lining Area
	lbf-ft (N-m)	r/min	in <sup>2</sup> (cm <sup>2</sup> )
111	650 (881)	2500	110 (730)
211	1300 (1760)	2500	230 (1460)
311	1900 (2580)	2500	340 (2190)
114H	1200 (1630)	2300	160 (1020)
214H	2500 (3390)	2300	320 (2050)
314H	3800 (5150)	2300	480 (3070)
318	7100 (9630)	2100	780 (5050)
321	13500 (18300)	1800	1100 (6960)

\*Pneumatic actuation at 100 PSI.  
Hydraulic actuation at 500 PSI.

## Hydraulic Clutches



SIZE	Ring Type*	A		B			C	D
		+0.003/-0.005	(+0.00/-0.13)	Hole Circle	Diameter	Qty		
		in (mm)	in (mm)	in (mm)	in (mm)			
111	B					4 1/8 (104.8)	3 1/2 (89.2)	
211		13.875 (352.43)	13.13 (333.4)	13/32 (10.3)	8	5 3/8 (136.5)	4 1/2 (114.3)	
311						6 11/16 (169.9)	5 1/2 (140.2)	
114H	A					5 1/8 (130.2)	- -	
214H		18.375 (466.73)	17.25 (438.2)	17/32 (13.5)	8	6 5/8 (168.3)	4 5/8 (118.9)	
314H						8 (203.2)	5 7/16 (138.4)	
318		22.498 (571.45)	21.38 (542.9)	21/32 (16.7)	6	8 3/4 (222.3)	6 (153.2)	
321		26.500 (673.10)	33.50 (850.9)	21/32 (16.7)	12	10 1/8 (257.2)	- -	

Consult WPT Application Engineering for application assistance and applicable service factors.

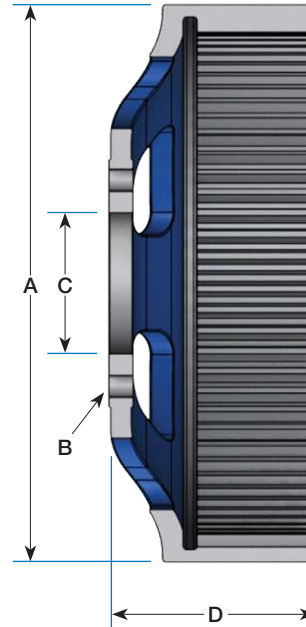
Larger bore sizes may be accommodated, consult WPT Application Engineering.

Dynamic torque is 75% of static torque.

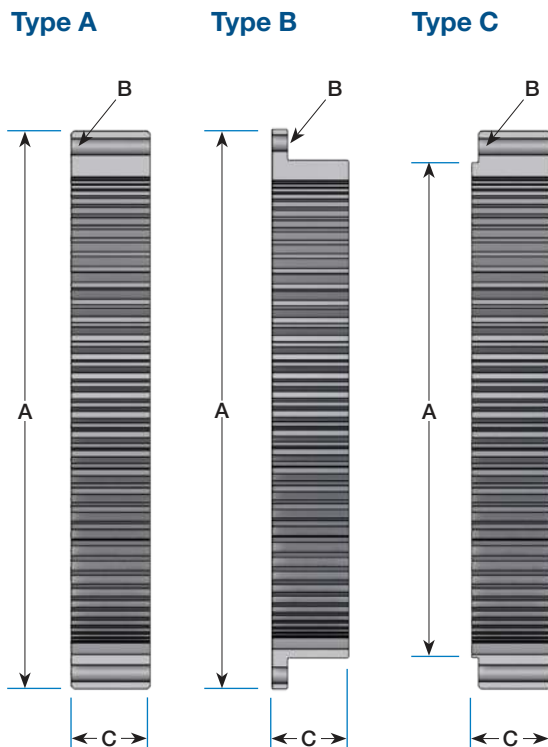
\*For Drive Ring Dimensions see chart.

## Spider Flange Dimensions

Size	A	B			C +0.002/-0.000 (+0.05/-0.00)	D	No. of Teeth	Weight
		Hole Circle	Diameter	Qty				
	in (mm)	in (mm)	in (mm)		in (mm)	in (mm)	lb (kg)	
114						3 (79.4)	27 (12)	
214	16 (406.4)	8.00 (203.2)	1/2 (12.7)	8	6.500 (165.10)	5 (114.3)	37 (17)	
314						6 (152.4)	49 (22)	
118						3 (82.6)	57 (26)	
218	20 1/4 (514.4)	8.00 (203.2)	1/2 (12.7)	8	6.500 (165.10)	5 (125.4)	76 (35)	
318						6 (160.3)	89 (40)	
124						5 (114.3)	120 (55)	
224	26 1/4 (666.8)	10.00 (254.0)	5/8 (15.9)	8	8.000 (203.20)	6 (161.9)	150 (70)	
324						8 (211.2)	180 (82)	

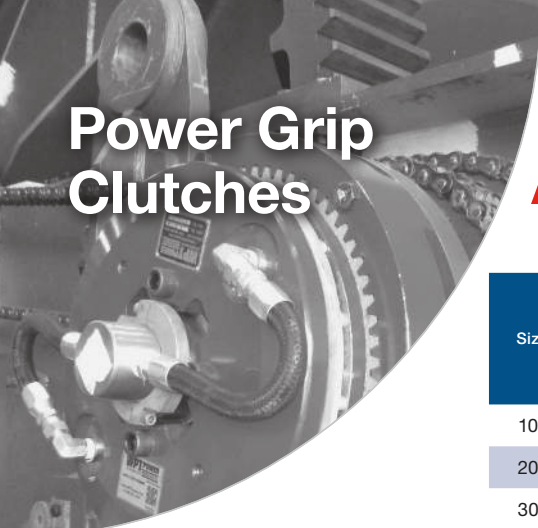


## Drive Ring Dimensions



Size	Ring Type	A +0.000/-0.005 (+0.00/-0.13)	B			C in (mm)	No. of Teeth	Weight
			Hole Circle	Diameter	Qty			
		in (mm)	in (mm)	in (mm)		lb (kg)		
114	A				1 1/8 (28.6)	17 (8)		
214	A	18.375 (466.73)	17.25 (438.2)	17/32 (13.5)	8	26 (12)		
314	A				4 (101.6)	43 (20)		
118	B				1 1/8 (28.6)	24 (11)		
218	B	22.500 (571.50)	21.38 (542.9)	21/32 (16.7)	6	43 (20)		
318	B				4 1/4 (108.0)	55 (25)		
124	A				1 1/2 (38.1)	66 (30)		
224	B	28.875 (733.43)	27.25 (692.2)	25/32 (19.8)	12	64 (29)		
324	B				5 1/2 (139.7)	88 (40)		
230	C	32.000 (812.80)	33.00 (838.2)	25/32 (19.8)	12	230 (105)		
330	C				7 (177.8)	360 (165)		
236	C	37.500 (952.50)	38.50 (977.9)	25/32 (19.8)	12	250 (112)		
336	C				7 1/2 (190.5)	380 (172)		
342	C	46.000 (1168.40)	45.00 (1143.0)	25/32 (19.8)	24	530 (239)		

# Power Grip Clutches



Size	A		B		C		D	E	
	in (mm)	in (mm)	Hole Circle in (mm)	Thread Size in	Quantity	+0.003/ -0.000			+0.08/ -0.00
						in (mm)			
108	10 3/8 (263.5)	9.63 (244.5)	1/2-13	6	8.872 (225.35)	9 5/8 (244.5)	3 7/8 (98.43)		
208	10 3/8 (263.5)	9.63 (244.5)	1/2-13	6	8.872 (225.35)	9 5/8 (244.5)	5 1/4 (133.4)		
308	10 3/8 (263.5)	9.63 (244.5)	1/2-13	6	8.872 (225.35)	9 5/8 (244.5)	6 5/8 (168.3)		
111	14 3/8 (365.1)	13.38 (339.7)	5/8-11	8	12.375 (314.33)	11 15/16 (303.2)	4 1/8 (104.8)		
211	14 3/8 (365.1)	13.38 (339.7)	5/8-11	8	12.375 (314.33)	11 15/16 (303.2)	5 3/8 (136.5)		
311	14 3/8 (365.1)	13.38 (339.7)	5/8-11	8	12.375 (314.33)	11 15/16 (303.2)	6 11/16 (169.9)		
114H	17 1/2 (444.5)	16.25 (412.8)	5/8-11	6	15.125 (384.18)	16 5/16 (414.3)	5 1/8 (130.2)		
214H	17 1/2 (444.5)	16.25 (412.8)	5/8-11	6	15.125 (384.18)	16 5/16 (414.3)	6 5/8 (168.3)		
314H	17 1/2 (444.5)	16.25 (412.8)	5/8-11	6	15.125 (384.18)	16 5/16 (414.3)	8 (203.2)		
216	20 (508.0)	18.75 (476.3)	5/8-11	6	17.500 (444.50)	16 1/4 (413.9)	6 9/16 (166.7)		
316	20 (508.0)	18.75 (476.3)	5/8-11	6	17.500 (444.50)	16 1/4 (413.9)	8 (203.2)		
218	22 (558.8)	20.75 (527.1)	5/8-11	6	19.500 (495.30)	19 3/8 (492.1)	7 1/4 (184.2)		
318	22 (558.8)	20.75 (527.1)	5/8-11	6	19.500 (495.30)	19 3/8 (492.1)	8 7/8 (225.4)		
118H	22 (558.8)	20.75 (527.1)	5/8-11	6	19.500 (495.30)	21 5/16 (541.3)	5 11/16 (144.5)		
218H	22 (558.8)	20.75 (527.1)	5/8-11	6	19.500 (495.30)	21 5/16 (541.3)	7 1/4 (184.2)		
318H	22 (558.8)	20.75 (527.1)	5/8-11	6	19.500 (495.30)	21 5/16 (541.3)	8 3/4 (222.3)		
221	25 (635.0)	23.75 (603.3)	5/8-11	6	22.500 (571.50)	21 5/16 (541.3)	8 3/8 (212.7)		
321	25 (635.0)	23.75 (603.3)	5/8-11	6	22.500 (571.50)	21 5/16 (541.3)	10 1/8 (257.2)		
124H	28 (711.2)	26.75 (679.5)	5/8-11	6	25.500 (647.70)	27 (685.8)	6 3/4 (171.5)		
224H	28 (711.2)	26.75 (679.5)	5/8-11	6	25.500 (647.70)	27 (685.8)	8 1/2 (215.9)		
324H	28 (711.2)	26.75 (679.5)	5/8-11	6	25.500 (647.70)	27 (685.8)	10 1/2 (266.7)		
124SHD	28 (711.2)	26.75 (679.5)	5/8-11	6	25.500 (647.70)	27 (685.8)	6 7/8 (174.6)		
224SHD	28 (711.2)	26.75 (679.5)	5/8-11	6	25.500 (647.70)	27 (685.8)	8 1/2 (215.9)		
324SHD	28 (711.2)	26.75 (679.5)	5/8-11	6	25.500 (647.70)	27 (685.8)	10 1/2 (266.7)		
227	31 (787.4)	29.75 (755.7)	5/8-11	12	28.500 (647.70)	27 (685.8)	8 3/4 (222.3)		
327	31 (787.4)	29.75 (755.7)	5/8-11	12	28.500 (647.70)	27 (685.8)	10 3/4 (273.1)		
230H	34 (863.6)	32.75 (831.9)	5/8-11	12	31.500 (800.10)	32 3/8 (822.3)	10 3/16 (258.8)		
330H	34 (863.6)	32.75 (831.9)	5/8-11	12	31.500 (800.10)	32 3/8 (822.3)	12 3/4 (323.9)		
236	41 (1041.4)	39.75 (1009.7)	5/8-11	16	38.500 (977.90)	38 1/4 (971.6)	11 7/8 (301.6)		
336	41 (1041.4)	39.75 (1009.7)	5/8-11	16	38.500 (977.90)	38 1/4 (971.6)	14 3/4 (374.7)		
242	49 1/4 (1251.0)	47.25 (1200.2)	1-8	12	45.000 (1143.00)	44 1/8 (1120.8)	11 3/8 (288.9)		
342	49 1/4 (1251.0)	47.25 (1200.2)	1-8	12	45.000 (1143.00)	44 1/8 (1120.8)	14 1/8 (358.8)		
248	56 (1422.4)	54.00 (1371.6)	1-8	12	52.000 (1320.80)	52 3/8 (1330.3)	13 (330.2)		
348	56 (1422.4)	54.00 (1371.6)	1-8	12	52.000 (1320.80)	52 3/8 (1330.3)	15 3/4 (400.1)		
260	66 3/4 (1695.5)	64.75 (1644.7)	1-8	24	62.750 (1593.85)	61 1/2 (1562.1)	16 1/4 (412.8)		
360	66 3/4 (1695.5)	64.75 (1644.7)	1-8	24	62.750 (1593.85)	61 1/2 (1562.1)	20 (508.0)		
460	66 3/4 (1695.5)	64.75 (1644.7)	1-8	24	62.750 (1593.85)	61 1/2 (1562.1)	23 1/2 (596.9)		

