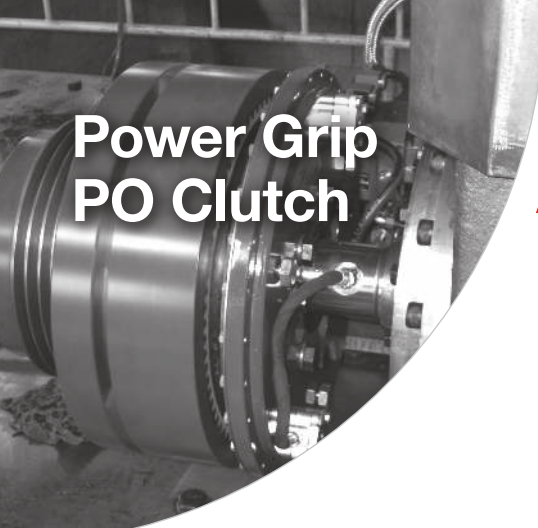
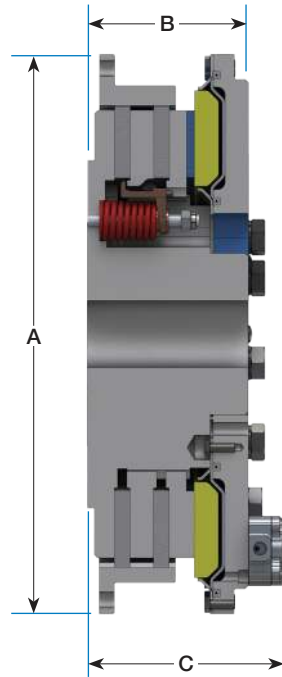


Power Grip PO Clutch



The WPT Power Grip PO Clutch is a pneumatic clutch suitable for inline or shaft-to-shaft applications. This design utilizes a large diaphragm that compensates for wear during the life of the friction material, no adjustment necessary. WPT's Power Grip PO Clutch is available in 1, 2, or 3 plate construction with diameters ranging from 14" thru 42".

- Large diaphragm provides high torque capacity and minimizes release drag
- Oversized release springs ensure quick, positive mechanical plate separation



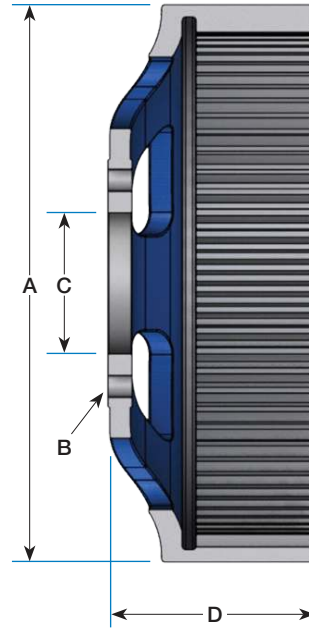
SIZE	A +0.000/-0.005 (+0.00/-0.13)	B	C
	in (mm)	in (mm)	in (mm)
114	18.370 (466.60)	4 3/8 (111.5)	5 7/8 (149.2)
214	18.370 (466.60)	5 3/4 (146.8)	7 3/16 (183.9)
314	18.370 (466.60)	7 1/8 (181.4)	8 11/16 (220.7)
118	22.496 (571.40)	4 3/4 (121.9)	6 1/4 (159.5)
218	22.496 (571.40)	6 3/8 (163.3)	7 15/16 (202.9)
318	22.495 (571.37)	8 1/16 (204.5)	9 9/16 (244.3)
124	28.870 (733.30)	5 15/16 (151.6)	7 9/16 (192.3)
224	28.870 (733.30)	7 5/8 (193.8)	9 3/16 (234.4)
324	28.870 (733.30)	9 3/8 (238.1)	10 15/16 (278.9)
230	34.745 (882.52)	8 7/16 (215.4)	9 15/16 (252.7)
330	34.745 (882.52)	10 3/8 (263.9)	11 13/16 (301.5)
236	39.995 (1,015.87)	10 1/4 (261.9)	10 15/16 (278.4)
336	39.995 (1,015.87)	12 11/16 (322.3)	13 1/2 (343.9)
342	46.745 (1,187.32)	13 1/2 (342.9)	16 1/4 (413.3)

Torque Rating @ 100 psi (7 bar)		Maximum Speed	Maximum Slip Speed	Weight and Inertia				Lining Area	Bore Range	
Model	Static Torque			Total Weight	Total Inertia	Ring & FD Weight	Ring & FD Inertia		Minimum	Maximum
	lb·in (N·m)	r/min	r/min	lb (kg)	lb·ft ² (kg·m ²)	lb (kg)	lb·ft ² (kg·m ²)	in ² (cm ²)	in (mm)	in (mm)
114	38,400 (4340)	2450	1640	191 (87)	47 (2.0)	9.2 (4.2)	9.0 (0.38)	170 (1080)	2.00 (50.8)	3.50 (88.9)
214	76,800 (8680)	2450	1640	229 (100)	54 (2.3)	14 (6.2)	16 (0.68)	340 (2170)	2.00 (50.8)	3.50 (88.9)
314	115,000 (13000)	2450	1640	284 (130)	67 (2.8)	18 (8.2)	21 (0.88)	500 (3250)	2.00 (50.8)	3.50 (88.9)
118	78,500 (8870)	2000	1270	309 (140)	120 (4.9)	20 (9.1)	20 (0.84)	270 (1760)	2.94 (74.6)	4.55 (115.6)
218	157,000 (17700)	2000	1270	400 (180)	130 (5.5)	31 (14)	37 (1.5)	540 (3490)	2.94 (74.6)	4.55 (115.6)
318	236,000 (26600)	2000	1270	508 (230)	190 (7.9)	55 (25)	55 (2.3)	810 (5230)	2.94 (74.6)	4.55 (115.6)
124	188,000 (21300)	1500	950	680 (310)	440 (18)	96 (44)	96 (4.0)	440 (2850)	3.00 (76.2)	6.00 (142.4)
224	377,000 (42600)	1500	950	820 (370)	500 (21)	100 (47)	100 (4.3)	880 (5700)	3.00 (76.2)	6.00 (142.4)
324	565,000 (63800)	1500	950	990 (450)	600 (25)	150 (68)	140 (6.0)	1,300 (8550)	3.50 (88.9)	6.00 (142.4)
230	731,000 (82600)	1300	760	1,430 (650)	1,400 (60)	500 (230)	500 (21)	1,500 (9600)	3.75 (95.3)	7.00 (177.8)
330	1,097,000 (123900)	1300	760	1,810 (820)	1,900 (78)	780 (350)	780 (33)	2,200 (14400)	3.75 (95.3)	7.00 (177.8)
236	1,300,000 (146900)	900	640	2,260 (1000)	2,900 (120)	950 (430)	820 (35)	2,300 (14900)	4.50 (114.0)	7.75 (196.9)
336	1,940,000 (219200)	900	640	2,810 (1300)	3,700 (160)	1,300 (580)	320 (13)	3,500 (22400)	4.50 (114.3)	7.75 (196.9)
342	3,370,000 (380800)	750	550	4,650 (2100)	8,500 (360)	3,300 (1500)	3,400 (140)	4,600 (29600)	8.25 (209.6)	10.00 (254.0)

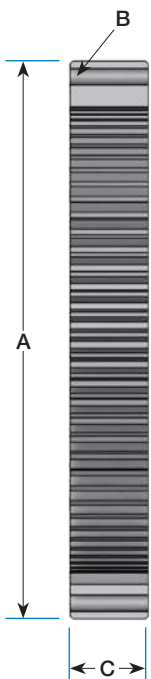
Consult WPT Application Engineering for application assistance and applicable service factors.
Dynamic torque is 75% of static torque.

Spider Flange Dimensions

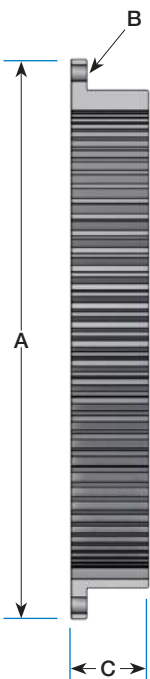
Size	A		B		C +0.002/-0.000 (+0.05/-0.00)	D	No. of Teeth	Weight	
	in (mm)	in (mm)	Hole Circle in (mm)	Diameter in (mm)					Qty
114						3 (79.4)	27 (12)		
214	16 (406.4)	8.00 (203.2)	1/2 (12.7)	8	6.500 (165.10)	5 (114.3)	37 (17)		
314						6 (152.4)	49 (22)		
118						3 (82.6)	57 (26)		
218	20 1/4 (514.4)	8.00 (203.2)	1/2 (12.7)	8	6.500 (165.10)	5 (125.4)	76 (35)		
318						6 (160.3)	89 (40)		
124						5 (114.3)	120 (55)		
224	26 1/4 (666.8)	10.00 (254.0)	5/8 (15.9)	8	8.000 (203.20)	6 (161.9)	150 (70)		
324						8 (211.2)	180 (82)		



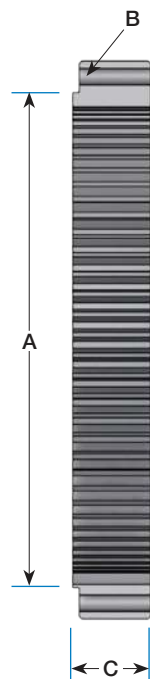
Type A



Type B



Type C



Drive Ring Dimensions

Size	Ring Type	A +0.000/-0.005 (+0.00/-0.13)		B		C in (mm)	No. of Teeth	Weight	
		in (mm)	in (mm)	Hole Circle in (mm)	Diameter in (mm)				Qty
114	A					1 1/8 (28.6)	17 (8)		
214	A	18.375 (466.73)	17.25 (438.2)	17/32 (13.5)	8	2 3/8 (60.3)	26 (12)		
314	A					4 (101.6)	43 (20)		
118	B					1 1/8 (28.6)	24 (11)		
218	B	22.500 (571.50)	21.38 (542.9)	21/32 (16.7)	6	3 1/16 (77.8)	43 (20)		
318	B					4 1/4 (108.0)	55 (25)		
124	A					1 1/2 (38.1)	66 (30)		
224	B	28.875 (733.43)	27.25 (692.2)	25/32 (19.8)	12	3 1/2 (88.9)	64 (29)		
324	B					5 1/2 (139.7)	88 (40)		
230	C	32.000 (812.80)	33.00 (838.2)	25/32 (19.8)	12	4 3/4 (120.7)	230 (105)		
330	C					7 (177.8)	360 (165)		
236	C	37.500 (952.50)	38.50 (977.9)	25/32 (19.8)	12	4 3/4 (120.7)	250 (112)		
336	C					7 1/2 (190.5)	380 (172)		
342	C	46.000 (1168.40)	45.00 (1143.0)	25/32 (19.8)	24	7 1/2 (191.5)	530 (239)		