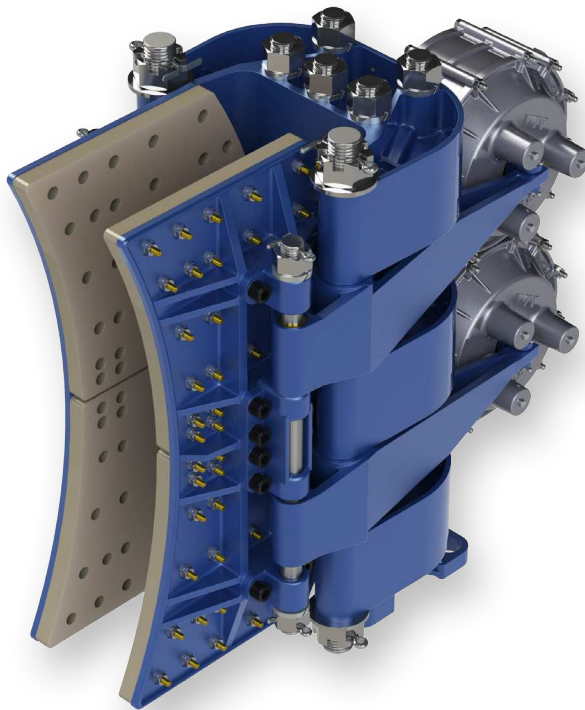
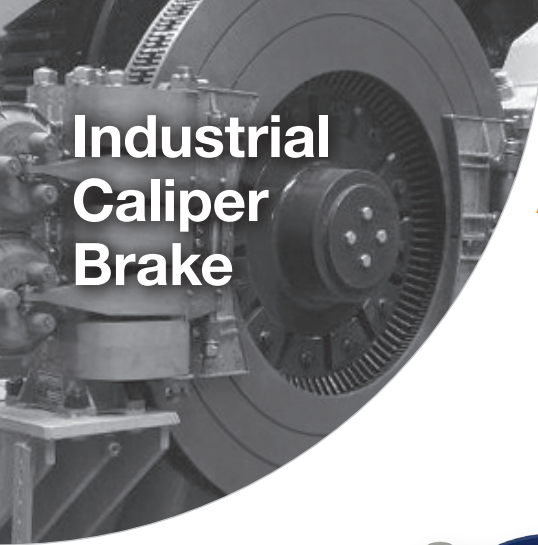


Industrial Caliper Brake



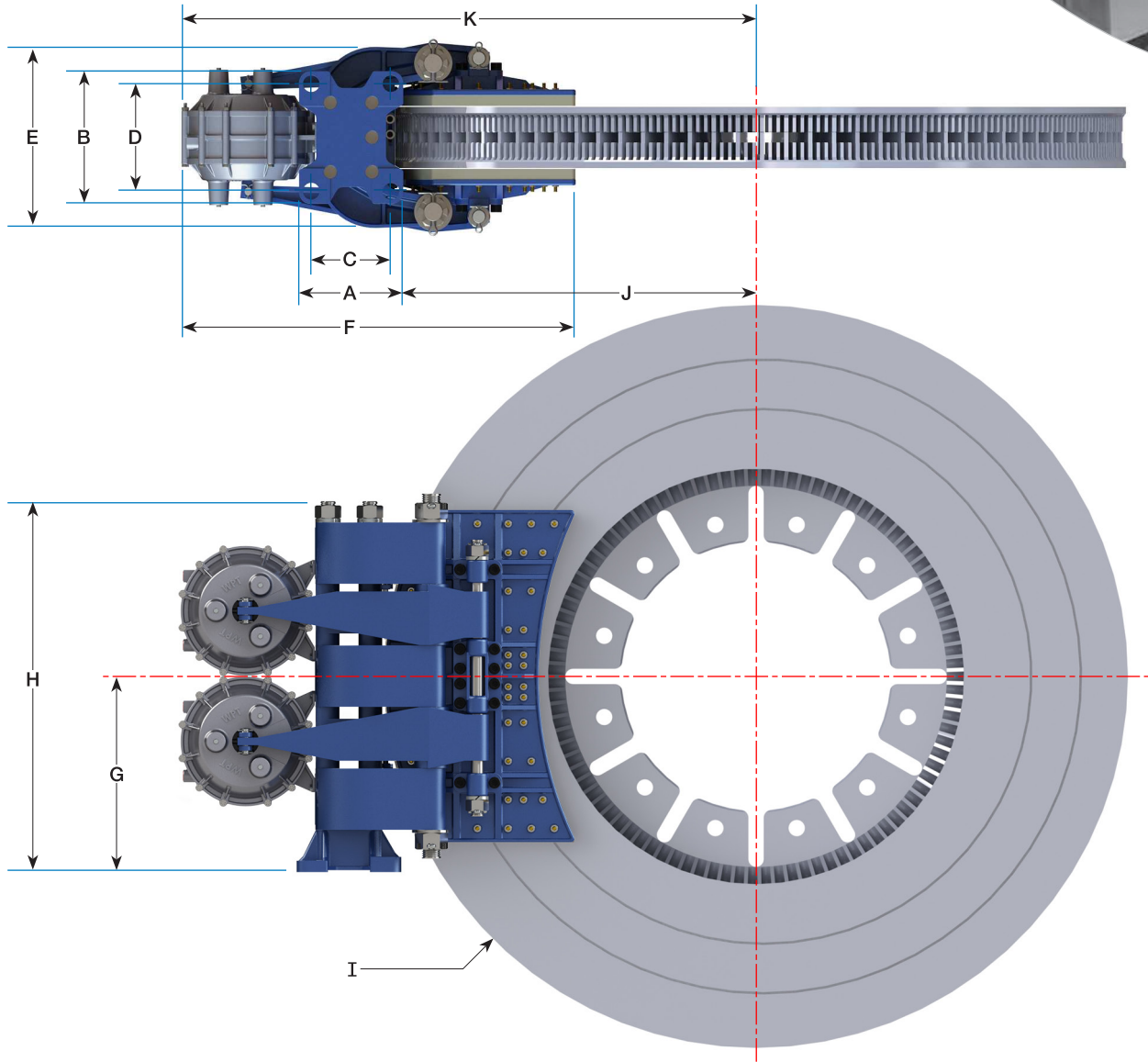
WPT Power Industrial Caliper Disc Brakes & Rotors are engineered to operate in demanding environments where real world conditions can adversely affect performance and reliability. Our line of Industrial Caliper Brakes provide great control in winches for both land and offshore operations, well-service rigs, and forestry applications.

WPT Industrial Caliper Disc Brakes & Rotors are well suited for conditions that require a dependable, low-maintenance solution. The ductile iron saddle-frame design and anti-stress load transfer system work together to maximize equipment productivity. These calipers are lever operated and have adjustable clevises on the actuators to regulate the disc and shoe clearance. The actuators are designed to use minimal air pressure while providing precise control of brake torque. WPT's Brake Rotors are cast ductile iron and range from 30" (762 mm) to 60.5" (1537 mm) in diameter, with a width of 4" (101.6 mm) for all sizes. WPT's rotor design allows for maximum airflow and energy dissipation.

Model	Rotor Sizes in (mm)	Torque lbf-ft (N·m)	Maximum Speed r/min	Effective Radius ft (m)	Maximum Pressure lbf/in ² (bar)	Volume Per Actuation Max in ³ (cm ³)	Clamping Force Total lbf (N)	Lining Area Total in ² (cm ²)	Lining Wear Max in (mm)
WDA-26	30 (762)	15,300 (20800)	1150	0.96 (0.29)	100 (7)	110 (1820)	31,800 (141500)	200 (1290)	0.35 (9)
	40 (1016)	21,700 (29400)	860	1.36 (0.42)					
	48 (1219)	26,900 (36400)	720	1.69 (0.51)					
WDA-28	48 1/2 (1232)	38,100 (51600)	710	1.59 (0.48)	100 (7)	180 (2950)	48,000 (213600)	415 (2677)	0.38 (10)
	54 1/2 (1384)	43,900 (59500)	630	1.83 (0.56)					
	60 1/2 (1537)	49,700 (67400)	570	2.07 (0.63)					

Consult WPT Application Engineering for application assistance and applicable service factors.

Industrial Caliper Brake



Model	Caliper Dimensions								Rotor Dimensions		
	A	B	C	D	E	F	G	H	I	J	K
WDA-26	6 1/4 (159)	7 1/2 (191)	4.750 (120.65)	7.500 (190.50)	10 15/16 (278)	20 1/2 (521)	9 1/2 (242)	18 1/2 (470)	30 (762)	14 1/2 (368)	27 1/16 (687)
									40 (1016)	19 1/2 (495)	32 1/16 (815)
									48 (1219)	23 1/2 (597)	36 1/16 (916)
WDA-28	6 13/16 (173)	8 5/8 (219)	5.203 (132.16)	7.000 (177.80)	12 3/8 (318)	25 3/4 (654)	12 3/4 (324)	24 1/2 (622)	48 1/2 (1232)	23 1/16 (585)	37 9/16 (954)
									54 1/2 (1384)	26 1/16 (662)	40 9/16 (1030)
									60 1/2 (1537)	29 1/16 (738)	43 9/16 (1107)