

Customer Information

Application #: OFFICE USE ONLY

Name / Title: _____ Company Name: _____
 Phone: _____ Address: _____
 Email: _____ City / State / Zip: _____

General Application Information

Machine Make: _____ Machine Model: _____
 Tons: _____ Press Number: _____
 Quantity Required: _____ Year Built: _____
 General Application Description: _____ Machine Layout/Drawing Attached: Yes No

Press/Shear Information

Length of Stroke: _____ Gear Ratio: _____
 Rating ABDC: _____ Motor HP: _____
 Motor Speed: _____ Ram and Max Upper Die Weight: _____
 Connecting Rod Length: _____ F/W O.D. at Belts: _____
 OBI/SS: _____ Clutch/Brake Location: _____
 SSPM: _____ Motor Sheave Diameter: _____
 Available Pressure: _____

Reduction

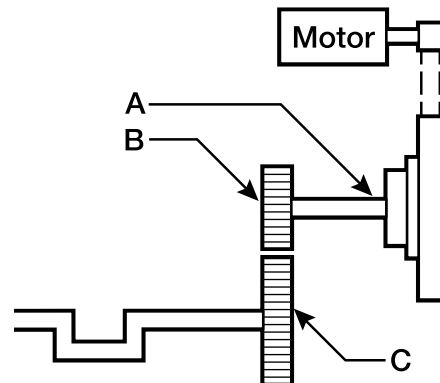
No Reduction Single Reduction Double Reduction

Gear Drive

Eccentric Single Gear Drive Double Gear Drive

Single Gear, Single Reduction

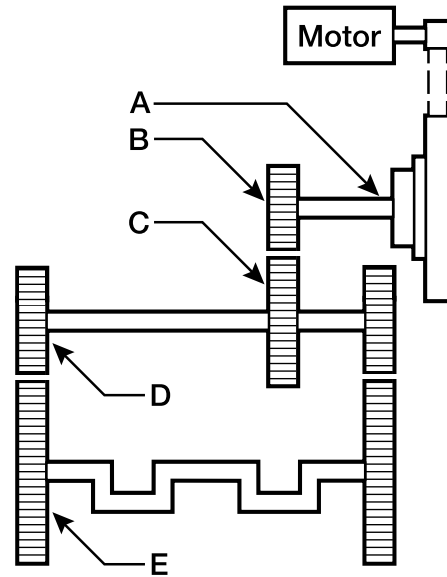
Back Shaft Diameter (A): _____
 Back Shaft RPM: _____
 Pinion Gear Diameter (B): _____
 Pinion Gear Width: _____
 Bull Gear Diameter (C): _____
 Bull Gear Rim Thickness: _____
 Bull Gear Width: _____



Double Gear, Double Reduction

Application #: OFFICE USE ONLY

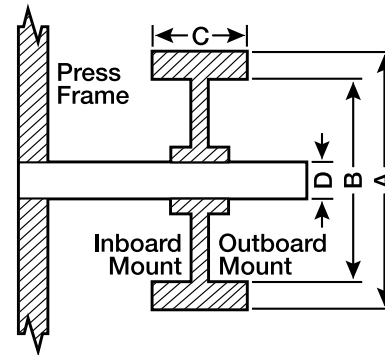
- Back Shaft Diameter (A): _____
- Back Shaft RPM: _____
- Pinion Gear Diameter (B): _____
- Pinion Gear Width: _____
- Intermediate Gear Diameter (C): _____
- Intermediate Gear Rim Thickness: _____
- Intermediate Gear Width: _____
- Pinion Gear for Bull Gear, Diameter (C): _____
- Pinion Gear for Bull Gear, Width: _____
- Bull Gear Diameter (E): _____
- Bull Gear Rim Thickness: _____
- Bull Gear Width: _____



Please include sketch of drivetrain if different than above configurations.

Clutch/Brake Mounting

- | | |
|------------------------------|----------|
| Inboard | Outboard |
| Flywheel O.D. (A): _____ | |
| Flywheel Rim I.D. (B): _____ | |
| Flywheel Width (C): _____ | |
| Flywheel Shaft (D): _____ | |



Special Requirements